



LD-1

CHEST PRESS/PEC FLY

OWNER'S MANUAL



SERIAL NUMBER HERE

DATE OF PURCHASE



INSTRUCTIONS

CONGRATULATIONS ON THE PURCHASE OF YOUR NEW BATCA LD-1. THIS GYM WILL PROVIDE YOU WITH A LIFETIME OF ENJOYMENT TO MEET YOUR STRENGTH TRAINING NEEDS. BATCA FITNESS SYSTEMS STRIVES TO BUILD THE BEST QUALITY GYMS AND TO PACKAGE THESE GYMS IN SUCH A WAY TO AVOID ANY DAMAGE DURING SHIPPING.

IN ORDER TO GET STARTED WITH YOUR ASSEMBLY YOU SHOULD FIRST FAMILIARIZE YOURSELF WITH THIS MANUAL. IT IS RECOMMENDED THAT YOU READ THROUGH EACH STEP THOROUGHLY BEFORE YOU BEGIN. BEGIN BY OPENING YOUR BOXES AND SEPARATING ALL OF YOUR PARTS. VERIFY THAT ALL PARTS ARE ACCOUNTED FOR AND HAVE NO DAMAGE. WHEN ALL PARTS ARE ACCOUNTED FOR, YOU MAY BEGIN YOUR ASSEMBLY. SOME ITEMS MAY HAVE BEEN PRE-ASSEMBLED FOR YOUR CONVENIENCE. PLEASE NOTE THAT HARDWARE QUANTITIES SHOWN REFLECT TOTAL QUANTITIES FOR YOUR GYM AND MAY NOT REFLECT ACTUAL QUANTITIES IN EACH BAG. ASSEMBLE YOUR GYM ON A SOLID LEVEL SURFACE. THIS WILL ENSURE THE BEST POSSIBLE PERFORMANCE, FUNCTION, AND SAFETY FOR THE GYM AND YOUR WORKOUT.

ASSEMBLE YOUR GYM ACCORDING TO THE STEP BY STEP INSTRUCTIONS FOUND IN THIS MANUAL. FAILURE TO DO SO WILL VOID YOUR WARRANTY AND MAY RESULT IN PERSONAL INJURY. AFTER ASSEMBLY, YOU SHOULD CHECK EACH STATION TO ENSURE CORRECT OPERATION. IF A PROBLEM ARISES, RECHECK YOUR ASSEMBLY WITH THESE INSTRUCTIONS TO VERIFY CORRECT ASSEMBLY. IF YOU ARE UNABLE TO CORRECT A PROBLEM OR HAVE QUESTIONS WITH YOUR ASSEMBLY PLEASE CONTACT YOUR AUTHORIZED BATCA DEALER.

WARNING

BATCA FITNESS SYSTEMS HAS BUILT THIS GYM TO GIVE YOU A SAFE, EFFECTIVE AND ENJOYABLE WORKOUT. HOWEVER, THERE IS A RISK ASSUMED BY INDIVIDUALS WHO USE THIS TYPE OF EQUIPMENT. IT IS VERY IMPORTANT THAT ALL WARNINGS AND INSTRUCTIONS ARE READ AND FOLLOWED BEFORE BEGINNING ANY EXERCISE PROGRAM.

IT IS ALSO VERY IMPORTANT TO READ AND FOLLOW THE PREVENTATIVE MAINTENANCE SCHEDULE DESCRIBED IN THIS MANUAL. IF ANY OF THE WARNING LABELS OR STICKERS ARE WORN, FADED, TORN, SCRATCHED OR MISSING THEY SHOULD BE REPLACED IMMEDIATELY.

WARNING: THERE IS A RISK ASSUMED BY INDIVIDUALS WHO USE THIS TYPE OF EQUIPMENT. TO MINIMIZE RISK ALWAYS FOLLOW THESE RULES.

- 1) IT IS ESSENTIAL THAT YOU CONSULT WITH YOUR PHYSICIAN BEFORE BEGINNING ANY EXERCISE PROGRAM.
- 2) INSPECT EQUIPMENT BEFORE EACH USE FOR LOOSE, WORN, OR FRAYED PARTS (INCLUDING CABLES, NUTS AND BOLTS). REPLACE PARTS AT FIRST SIGNS OF WEAR (USE ONLY GENUINE BATCA REPLACEMENT PARTS). USE OF EQUIPMENT THAT IS DAMAGED, WORN, FRAYED OR NOT COMPLETELY ASSEMBLED ON A SOLID, LEVEL SURFACE MAY RESULT IN INJURY.
- 3) MAKE SURE ALL ADJUSTMENT PINS ARE FULLY ENGAGED BEFORE USING EQUIPMENT.
- 4) KEEP ALL PARTS OF THE BODY AND CLOTHING OUTSIDE THE PATH OF ANY MOVING PARTS OF THE GYM. BE ALERT TO THE POSSIBILITY OF INJURY. DO NOT BE CARELESS.
- 5) MINORS AND CHILDREN SHOULD NOT BE ALLOWED TO PLAY ON OR AROUND THIS GYM.

TABLE OF CONTENTS

	PAGE		PAGE
INSTRUCTIONS	2	FINAL ASSEMBLY AND TROUBLESHOOTING	21
PARTS LISTING	3	CABLE TENSION AND ADJUSTMENTS	22
HARDWARE COMPARISON	4-7	MAINTENANCE	23
MAIN ASSEMBLY	8-20	WARRANTY	24
UPHOLSTERY	18	FLOOR PLAN LAYOUT	25
CABLE ROUTING	15-17		

FRAME COMPONENTS

ITEM NO.	PART NUMBER	DESCRIPTION	QTY.
1	BFP-10824	LD-1 CAGE	1
2	BFP-10823	BASE ASSEMBLY	1
3	BFP-10828	UPRIGHT SUPPORT	1
4	BFP-10829	PEC TOP ASSEMBLY	1
5	BFP-10839	CABLE LOCKOUT PLATE	1
6	BFP-51745	GUIDE ROD	2
7	BFP-10827	GUIDE ROD PLATE	1
8	BFP-51719	ANTI-DEFLECTION PLATE	1
9	BFM-10413	WEIGHT STACK TOP PLATE	1
10	BFM-50632	WEIGHT STACK PLATE	19
11	BFM-50529	RUBBER DONUT	2
12	BFP-10834	PEC CAM (RIGHT)	1
13	BFP-10833	PEC CAM (LEFT)	1
14	BFP-10830	UPPER PEC ARM (RIGHT)	1
15	BFP-10831	UPPER PEC ARM (LEFT)	1
16	BFP-10832R	RIGHT LOWER PEC ARM	1
16A	BFP-10832L	LEFT LOWER PEC ARM	1
17	BFP-51736	AXLE	2
18	BFP-10825	FOOT ASSIST ASSEMBLY	1
19	BFP-51699	AXLE	1
20	BFP-10826	CHEST PRESS ARM	1
21	BFP-10837	CHEST PRESS PULLEY HOLDER	1
22	BFP-10836	CHROME ADJUSTMENT TUBE	1
23	BFP-10838	FREE FLOATER	2
24	BFM-50345	PULLEY COVER	2
25	BFP-51711	PLACARD PLATE	1
26	BFP-51740	REAR WEIGHT STACK SHROUD	1
27	BFP-51742	FRONT WEIGHT STACK SHROUD (RIGHT)	1
28	BFP-51741	FRONT WEIGHT STACK SHROUD (LEFT)	1

CABLES

ITEM NO.	PART NUMBER	DESCRIPTION	QTY.
29	CAB-15000	WEIGHT STACK TO FREE FLOATER	1
30	CAB-15002	PEC TOP TO FREE FLOATER	1
31	CAB-15001	FREE FLOATER TO FREE FLOATER	1

ACCESSORIES

ITEM NO.	PART NUMBER	DESCRIPTION	QTY.
32	BFM-51173	MAGNETIC WEIGHT STACK PIN	1

UPHOLSTERY

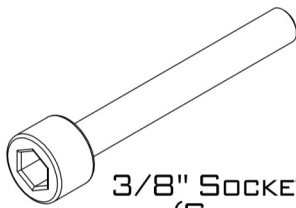
ITEM NO.	PART NUMBER	DESCRIPTION	QTY.
33	BFP-52137	HEAD PAD	1
34	BFP-52136	BACK PAD WITH LUMBER	1
35	BFP-52141	BOTTOM PAD	1

HARDWARE

ITEM NO.	PART NUMBER	DESCRIPTION	QTY.
36	BFH-50173	3 1/2" PULLEY	3
37	BFH-50174	4 1/2" PULLEY	6
38	BFH-50530	5" PULLEY	1
39	BFP-51746	1/2" PULLEY SPACER	8
40	BFP-51696	SMALL ALUMINUM CAP	4
41	BFH-50210	GAS SPRING	1
42	BFH-50254	HCS 3/8" x 3/4"	2
43	BFP-52373	BHSCS 3/8" x 3/4"	6
44	BFP-51653	SHCS 3/8" x 1 1/4"	2
45	BFH-50351	1 3/8" SHOULDER BOLT	3
46	BFP-51759	SHCS 3/8" x 2"	1
47	BFP-51752	SHCS 3/8" x 2 1/4"	7
48	BFP-51750	SHCS 3/8" x 2 3/4"	13
49	BFP-51748	SHCS 3/8" x 3 1/4"	2
50	BFP-51760	SHCS 3/8" x 3 1/2"	2
51	BFP-51884	SHCS 3/8" x 4 1/4"	2
52	BFP-51799	SHCS 3/8" x 5"	4
53	BFP-51756	SHCS 3/8" x 5 1/4"	4
54	BFH-50267	5/16" NYLOCK	3
55	BFH-50147	3/8" LOCK WASHER	6
56	BFH-50146	3/8" FLAT WASHER	60
57	BFH-50157	3/8" NYLOCK	31
58	BFH-50204	3/8" CURVED WASHER	10
49	BFM-50620	BHSCS 3/8" x 1"	2

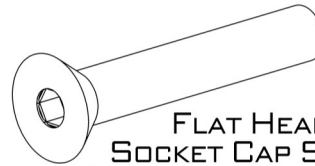
TOOLS REQUIRED

- 9/16" WRENCH
- 9/16" RATCHET
- ALLEN WRENCH SET
- TAPE MEASURE



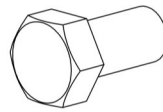
3/8" SOCKET HEAD CAP SCREW
(SIZES LISTED IN CHART)

PART #	BOLT SIZE
BFP-52340	3/8" x 3/4"
BFP-52376	3/8" x 1"
BFP-51653	3/8" x 1 1/4"
BFP-51697	3/8" x 1 1/2"
BFP-51759	3/8" x 2"
BFP-51752	3/8" x 2 1/4"
BFP-51750	3/8" x 2 3/4"
BFP-51747	3/8" x 3"
BFP-51748	3/8" x 3 1/4"
BFP-51760	3/8" x 3 1/2"
BFP-52345	3/8" x 4"
BFP-51884	3/8" x 4 1/4"
BFP-51751	3/8" x 4 1/2"
BFP-51753	3/8" x 4 3/4"
BFP-51799	3/8" x 5"
BFP-51756	3/8" x 5 1/4"
BFP-52364	3/8" x 6"

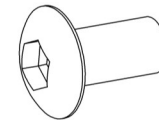


FLAT HEAD SOCKET CAP SCREW
(SIZES LISTED IN CHART)

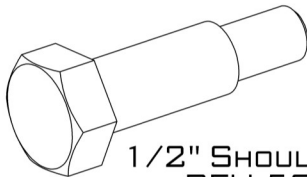
PART #	BOLT SIZE
BFH-50144	FHSCS 3/8"-16 x 1"
BFP-52377	FHSCS 3/8" x 2"
BFH-50145	FHSCS 3/8"-16 x 2 1/4"
BFP-52374	FHSCS 3/8" x 2 3/4"



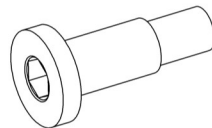
HEX HEAD CAP SCREW (HCS) 3/8" x 3/4"
(BFH-50254)



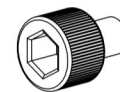
BUTTON HEAD SOCKET CAP SCREW (BHSCS) 3/8" x 3/4"
BFP-52430



1/2" SHOULDER BOLT
BFH-50249



1 1/4" SHOULDER BOLT
BFH-50250



ZINC PLATED SHCS 5/16" x 1/2"
(BFP-52372)



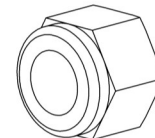
5/16"-18 NYLOCK
BFH-50267



3/8"-16 THIN NYLOCK
BFH-50247



3/8"-16 NYLOCK
BFH-50157



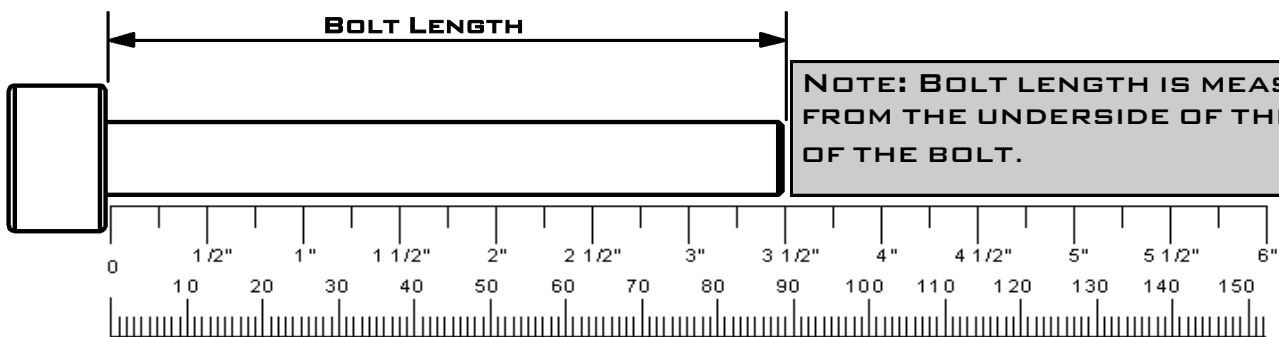
1/2"-13 NYLOCK
BFH-50251

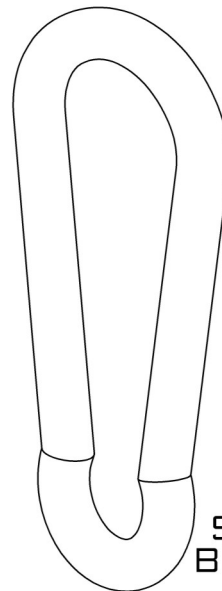
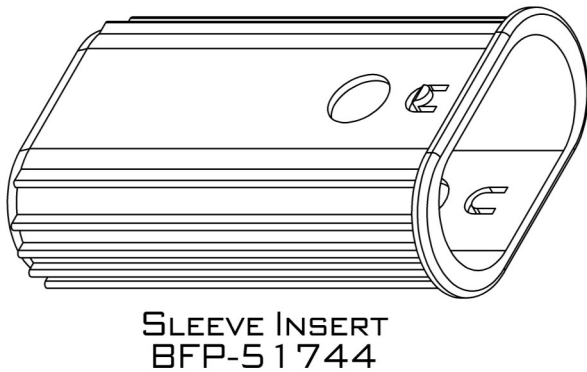
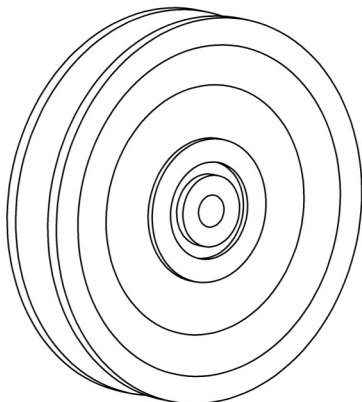
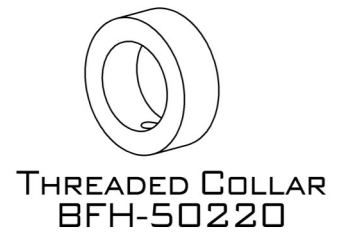
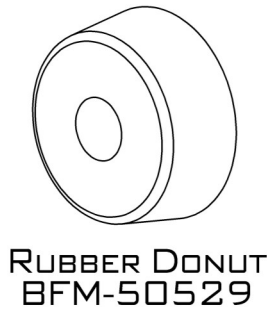
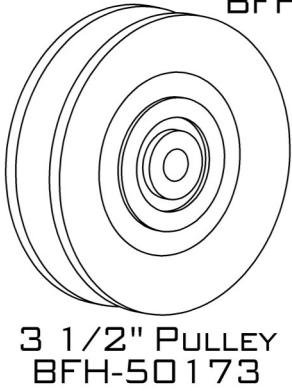
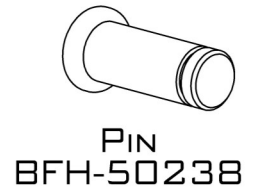
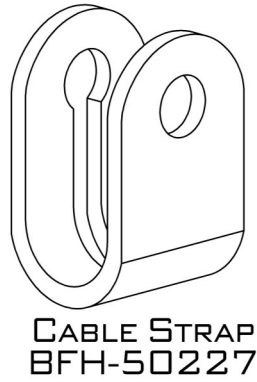
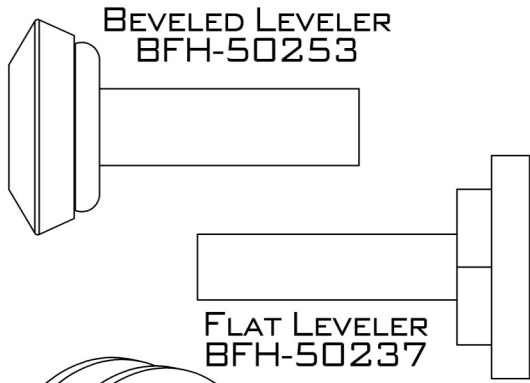


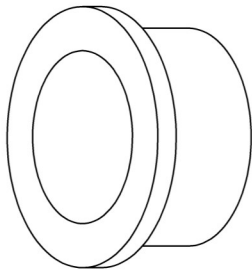
1/2" JAM NUT
BFH-50256



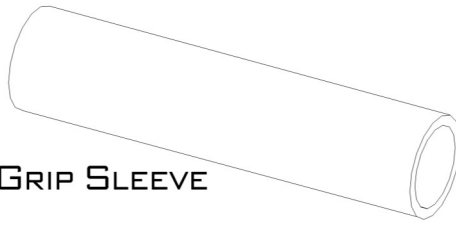
3/8" JAM NUT
BFH-50149



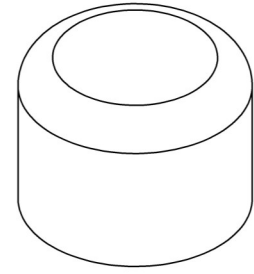




1" BRONZE BUSHING
BFH-50101



GRIP SLEEVE



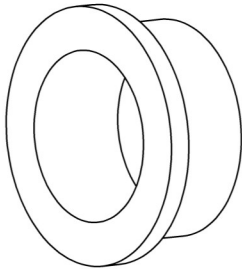
1" OUTER PLASTIC CAP
BFH-50111



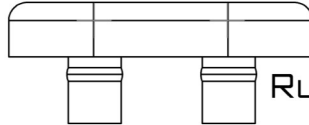
GRIP CAP



GRIP COLLAR

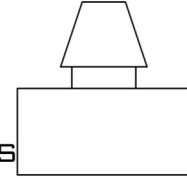


1" BRONZE BUSHING x 1/2 L
BFH-50297

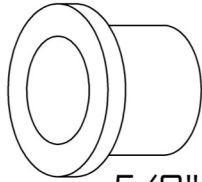


BFH-50222

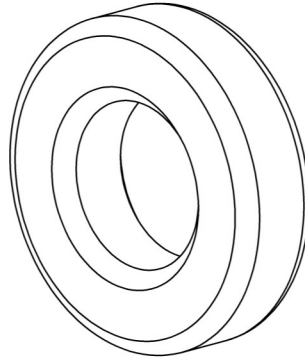
RUBBER BUMPERS



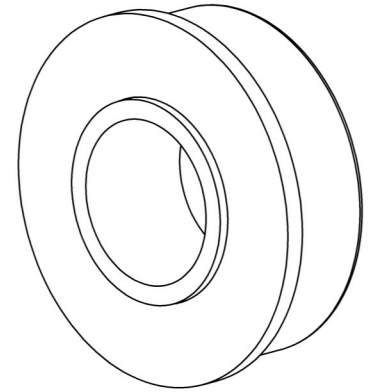
BFH-50200



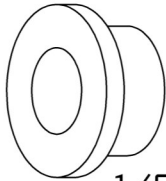
5/8" BRONZE BUSHING
BFH-50102



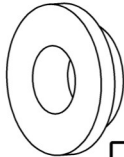
RADIAL BEARING
BFH-50602



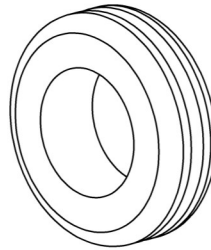
FLANGED RADIAL BEARING
BFP-51949



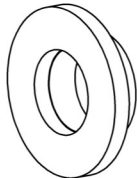
1/2" BRONZE BUSHING
BFH-50103



CABLE PIVOT BUSHING
BFH-50248



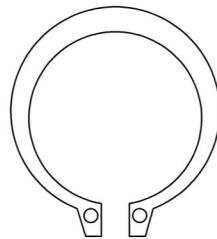
RUBBER GROMMET
BFH-50199



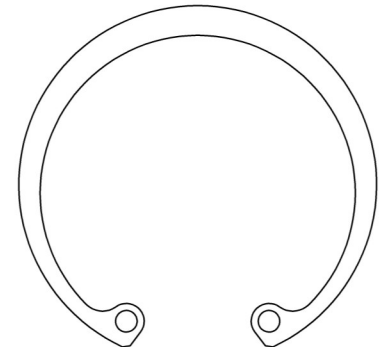
SHORT 1/2" BUSHING
BFH-50244



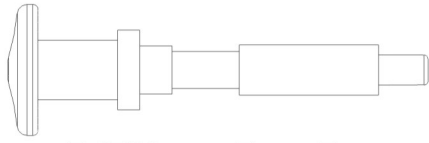
1/2" SNAP RING
BFH-50166



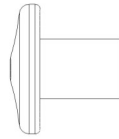
1" SNAP RING
BFH-50165



2 1/2" SNAP RING
BFH-50604



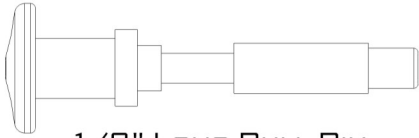
3/8" LONG PULL PIN
BFM-51176



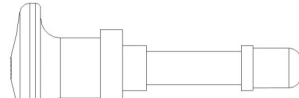
PULL PIN HANDLE
BFM-51181



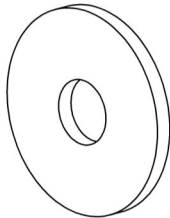
PLASTIC END CAP
(BFP-52101)



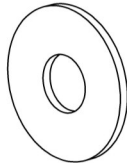
1/2" LONG PULL PIN
BFM-51172



3/8" SHORT PULL PIN
BFM-51175



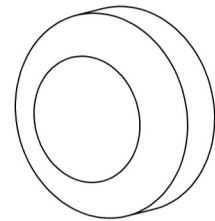
3/8" FENDER WASHER
BFH-50242



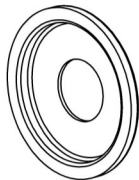
3/8" FLAT WASHER
BFH-50146



3/8" CURVED WASHER
BFH-50204



SCREW CAP COVER
BFH-50112



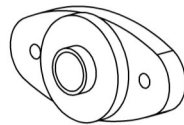
SCREW CAP WASHER
BFH-50113



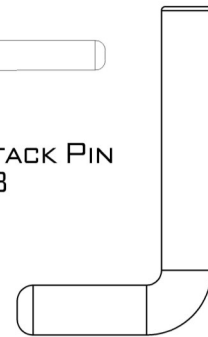
3/8" LOCK WASHER
BFH-50147



MAGNETIC WEIGHT STACK PIN
BFM-51173



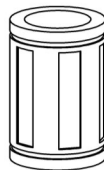
SIDE MOUNTED
FLANGE BEARING
BFH-50171



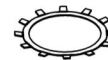
BAR CATCH RUBBER
SLEEVE
BFH-50240

ITEMS NOT SHOWN.

PART #	DESCRIPTION
BFH-50259	MIDNIGHT BLACK PAINT
BFH-50278	SILVER METALLIC PAINT
BFH-50198	LARGE LOGO
BFH-50236	FOAM GRIP
BFH-50262	SILICON GEL PACK
BFC-10101	1 INCH CHAIN
BFC-10102	12 INCH CHAIN



LINEAR BEARING
BFH-50627



BEARING RETAINING
CLIP
BFH-50628



PLEASE FOLLOW ALL DIRECTIONS VERY CAREFULLY FOR PROPER INSTALLATION.

STEP 1:



NOTE: FOR A MORE CONSISTENT APPEARANCE, POSITION ALL BOLTS IN THE DIRECTION SHOWN IN EACH FIGURE.

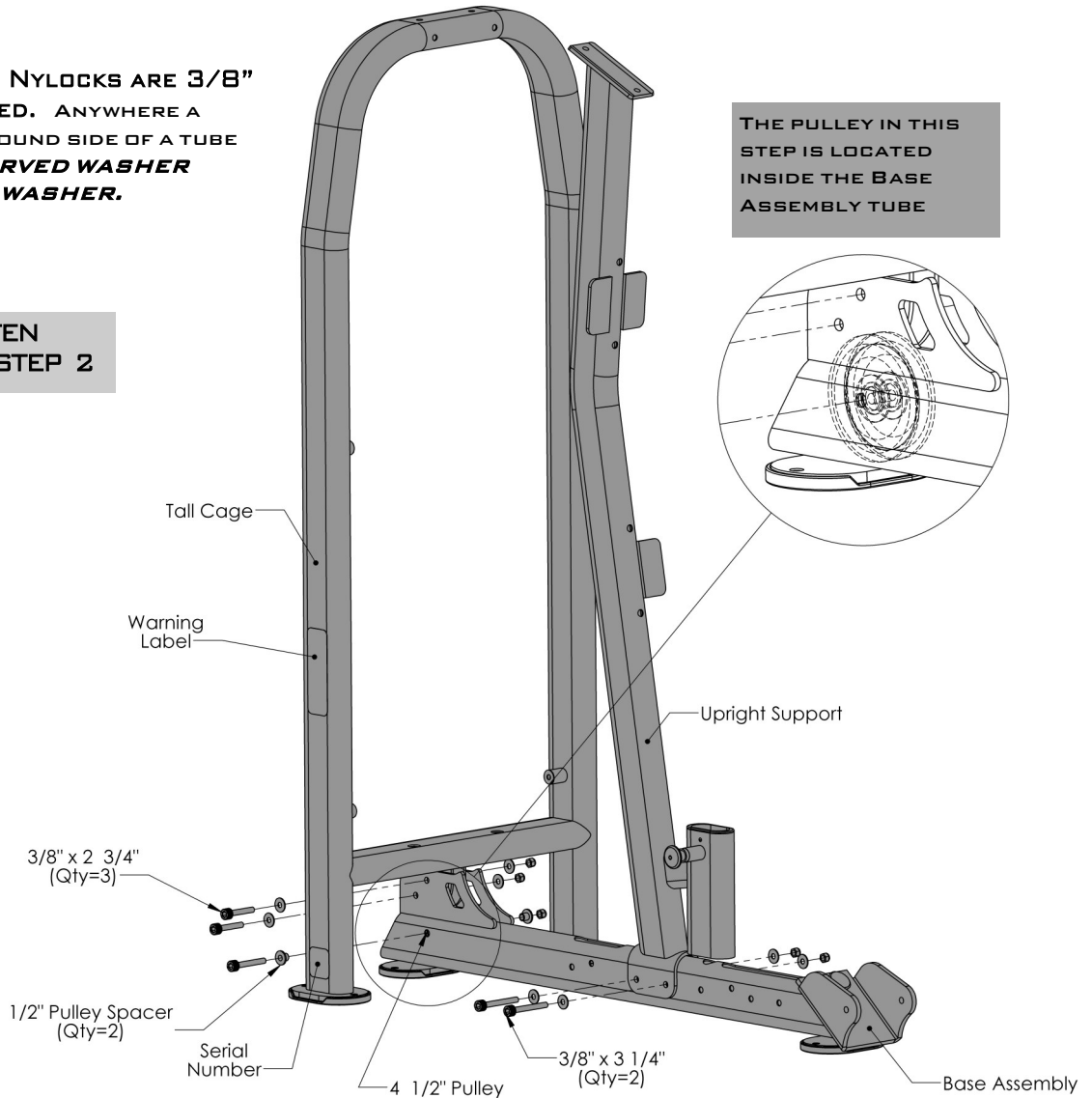
ALL FLAT WASHERS AND NYLOCKS ARE 3/8" UNLESS OTHERWISE NOTED. ANYWHERE A WASHER IS AGAINST THE ROUND SIDE OF A TUBE THERE IS TO BE A **3/8" CURVED WASHER** INSTEAD OF A **3/8" FLAT WASHER**.



DO NOT TIGHTEN BOLTS UNTIL STEP 2

THE PULLEY IN THIS STEP IS LOCATED INSIDE THE BASE ASSEMBLY TUBE

FIGURE 1



ITEM #	PART #	DESCRIPTION	QTY
1	BFP-10824	LD-1 CAGE	1
2	BFP-10823	BASE ASSEMBLY	1
3	BFP-10828	UPRIGHT SUPPORT	1
37	BFH-50174	4 1/2" PULLEY	1
48	BFP-51750	SHCS 3/8" x 2 3/4"	3
49	BFP-51748	SHCS 3/8" x 3 1/4"	2
39	BFP-51746	1/2" PULLEY SPACER	2
56	BFH-50146	3/8" FLAT WASHER	8
57	BFH-50157	3/8" NYLOCK	5

STEP 2:



MAKE SURE ALL BOLTS ARE TIGHTENED BEFORE MOVING ON

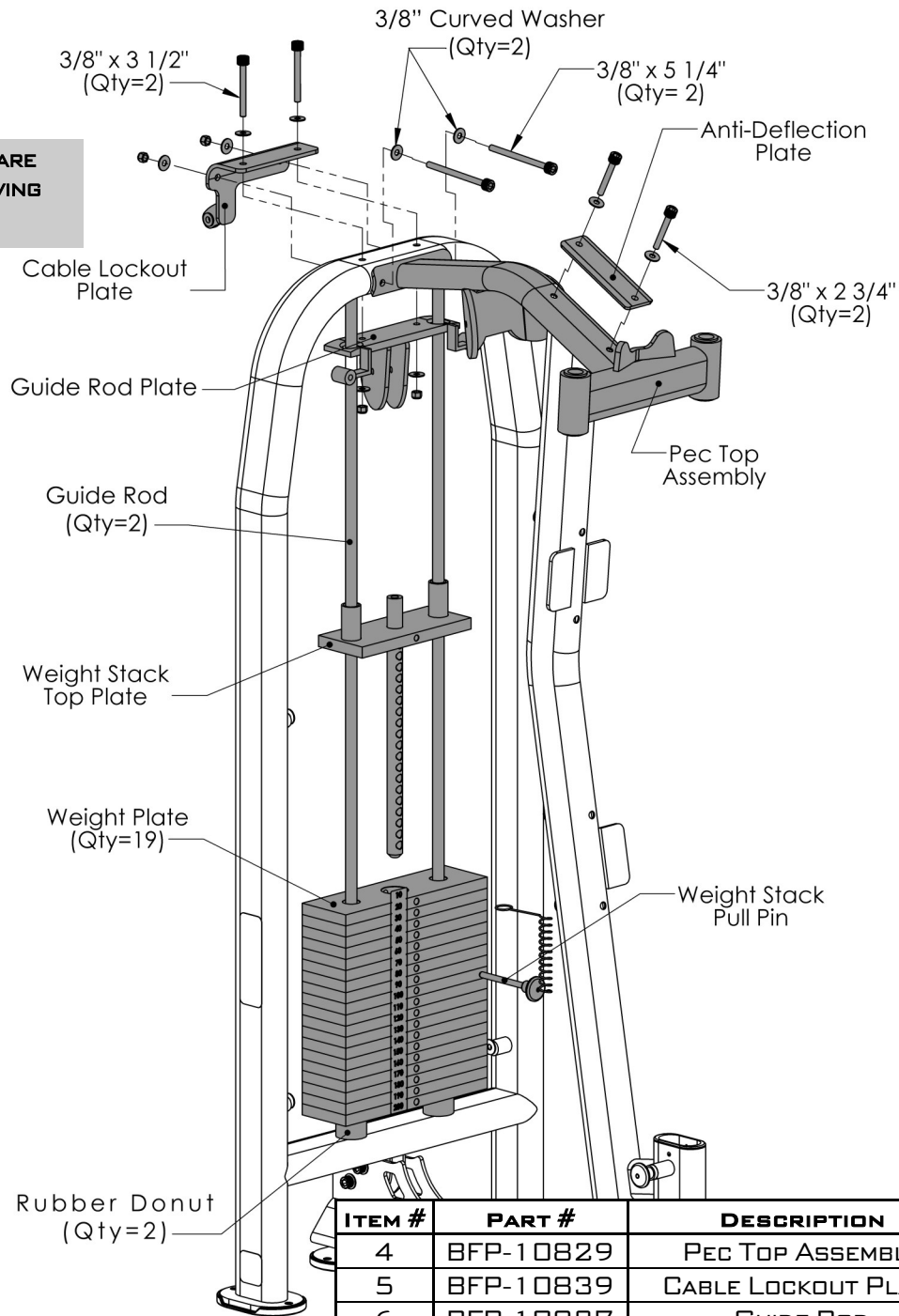


FIGURE 2

ITEM #	PART #	DESCRIPTION	QTY
4	BFP-10829	PEC TOP ASSEMBLY	1
5	BFP-10839	CABLE LOCKOUT PLATE	1
6	BFP-10827	GUIDE ROD	2
7	BFP-51745	GUIDE ROD PLATE	1
8	BFP-51719	ANTI-DEFLECTION PLATE	1
9	BFM-10413	WEIGHT STACK TOP PLATE	1
10	BFM-50632	WEIGHT STACK PLATE	19
32	BFM-51173	WEIGHT STACK PULL PIN	1
11	BFM-50529	RUBBER DONUT	2
48	BFP-51748	SHCS 3/8" x 2 3/4"	2
50	BFP-51760	SHCS 3/8" x 3 1/2"	2
53	BFP-51756	SHCS 3/8" x 5 1/4"	2
56	BFH-50146	3/8" FLAT WASHER	10
57	BFH-50157	3/8" NYLOCK	6
28	BFH-50204	3/8" CURVED WASHER	2

ALL FLAT WASHERS AND NYLOCKS ARE 3/8" UNLESS OTHERWISE NOTED. ANYWHERE A WASHER IS AGAINST THE ROUND SIDE OF A TUBE THERE IS TO BE A **3/8" CURVED WASHER** INSTEAD OF A **3/8" FLAT WASHER**.

STEP 3:

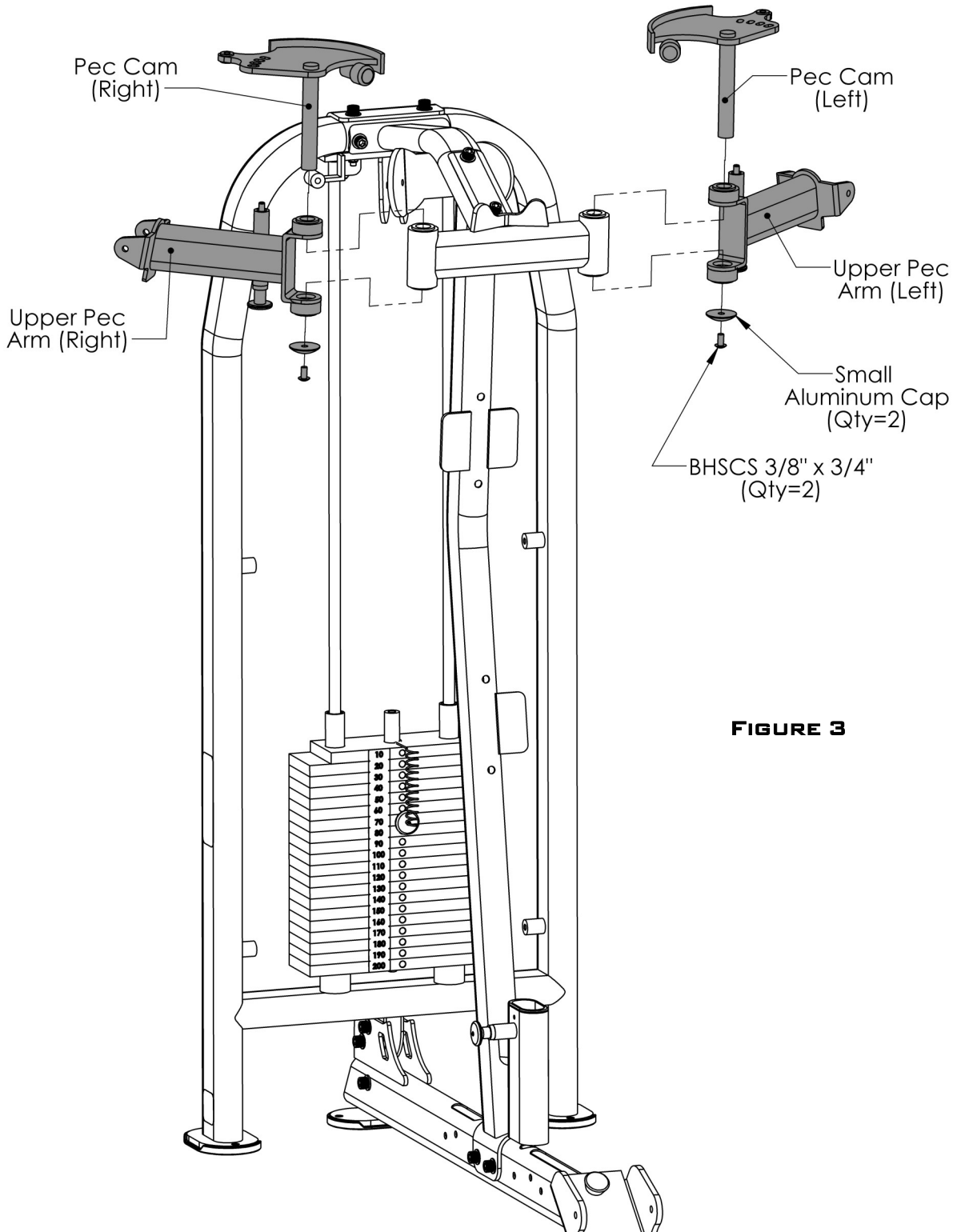


FIGURE 3

ITEM #	PART #	DESCRIPTION	QTY
12	BFP-10834	PEC CAM (RIGHT)	1
13	BFP-10833	PEC CAM (LEFT)	1
14	BFP-10830	UPPER PEC ARM (RIGHT)	1
15	BFP-10831	UPPER PEC ARM (LEFT)	1
40	BFP-51738	SMALL ALUMINUM CAP	2
43	BFP-52373	BHSCS 3/8" x 3/4"	2

ALL FLAT WASHERS AND NYLOCKS ARE 3/8"
UNLESS OTHERWISE NOTED.

STEP 4:

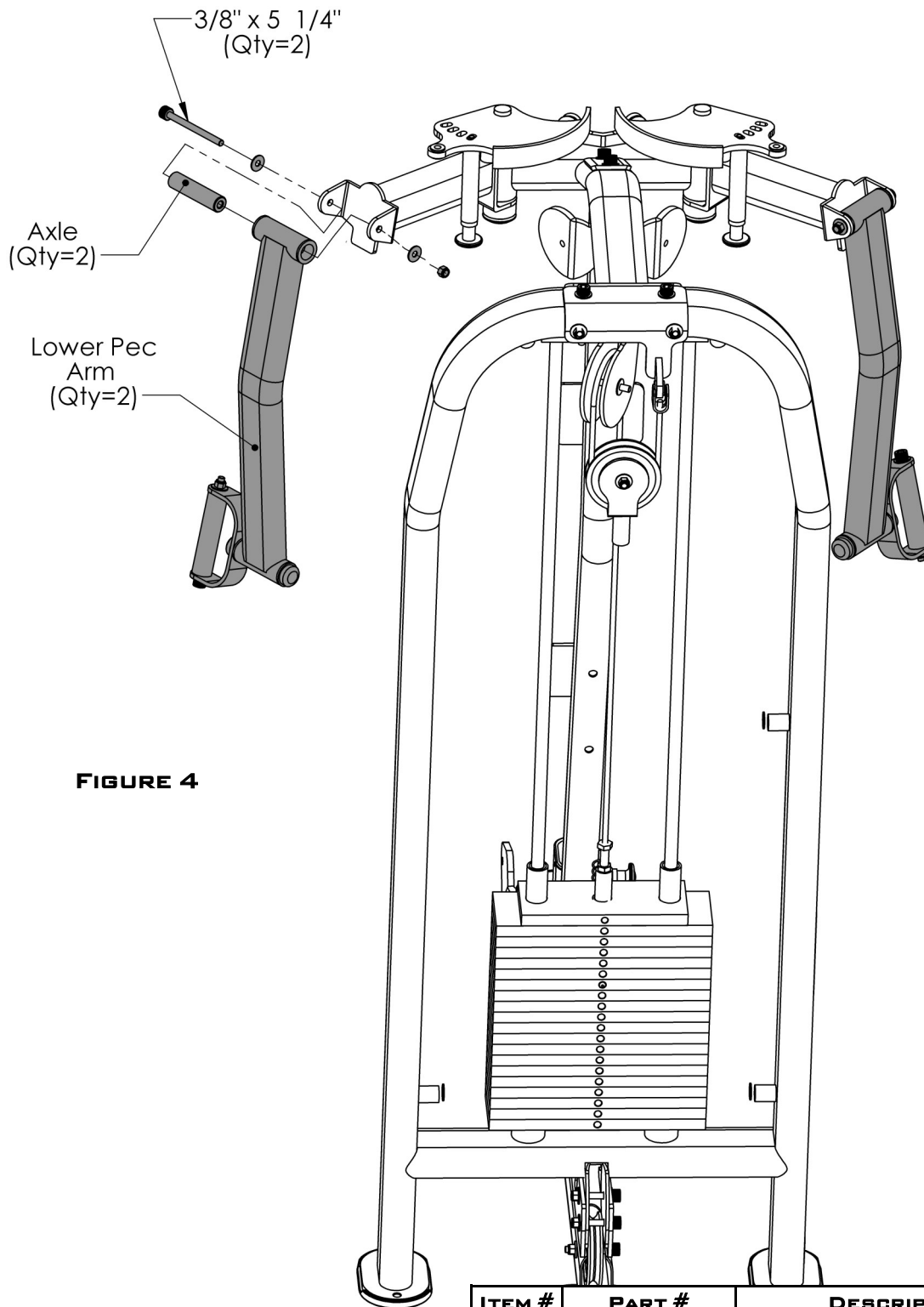


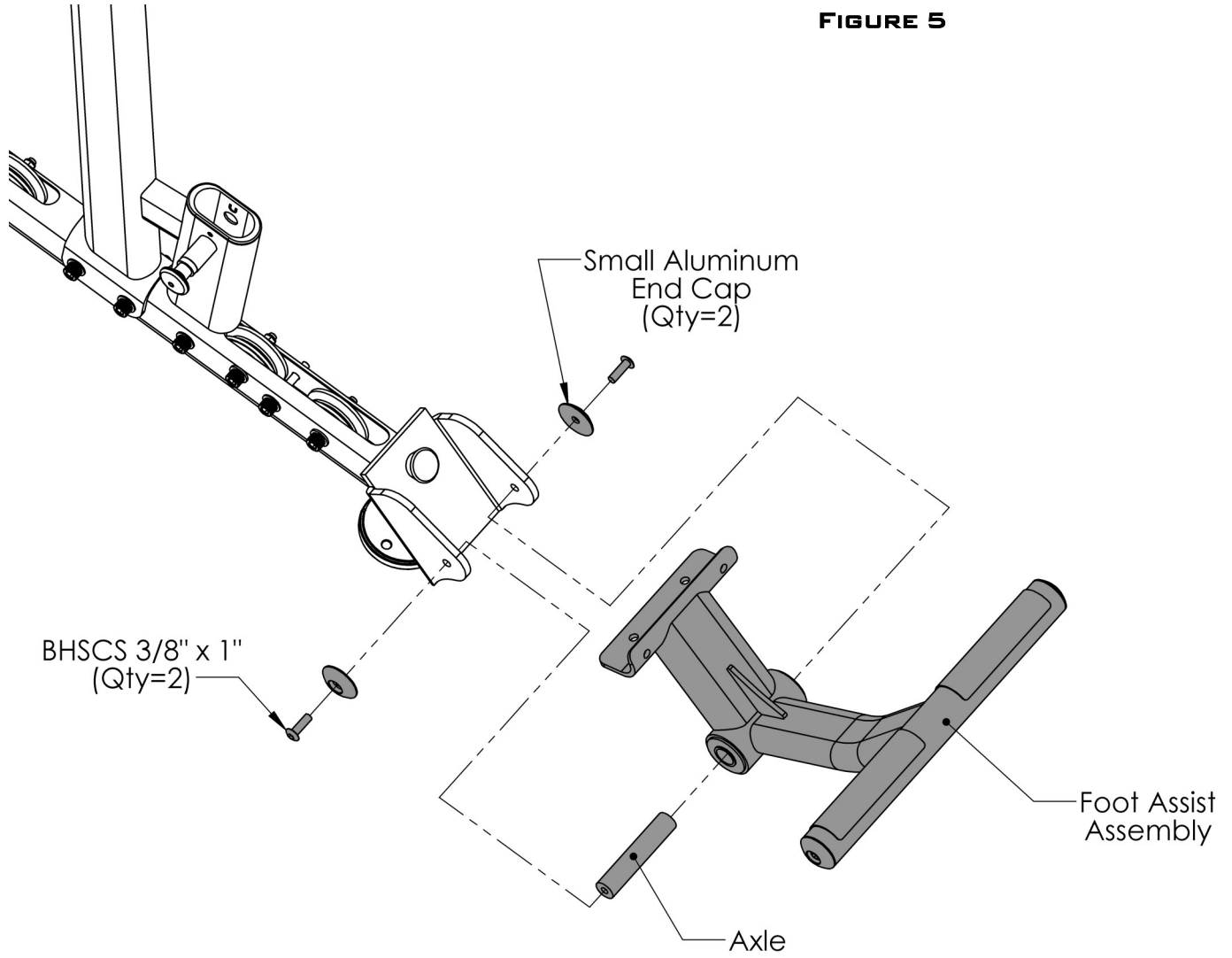
FIGURE 4

ALL FLAT WASHERS AND NYLOCKS ARE 3/8" UNLESS OTHERWISE NOTED.

ITEM #	PART #	DESCRIPTION	QTY
16	BFP-10832R	RIGHT LOWER PEC ARM	1
16A	BFP-10832L	LEFT LOWER PEC ARM	1
17	BFP-51736	AXLE	2
53	BFP-51756	SHCS 3/8" x 5 1/4"	2
56	BFH-50146	3/8" FLAT WASHER	4
57	BFH-50157	3/8" NYLOCK	2

STEP 5:

FIGURE 5



ALL FLAT WASHERS AND NYLOCKS ARE 3/8" UNLESS OTHERWISE NOTED.

ITEM #	PART #	DESCRIPTION	QTY
18	BFP-10825	FOOT ASSIST ASSEMBLY	1
19	BFP-51699	AXLE	1
40	BFP-51696	SMALL ALUMINUM END CAP	2
49	BFM-50620	BHSCS 3/8" x 1"	2

STEP 6:

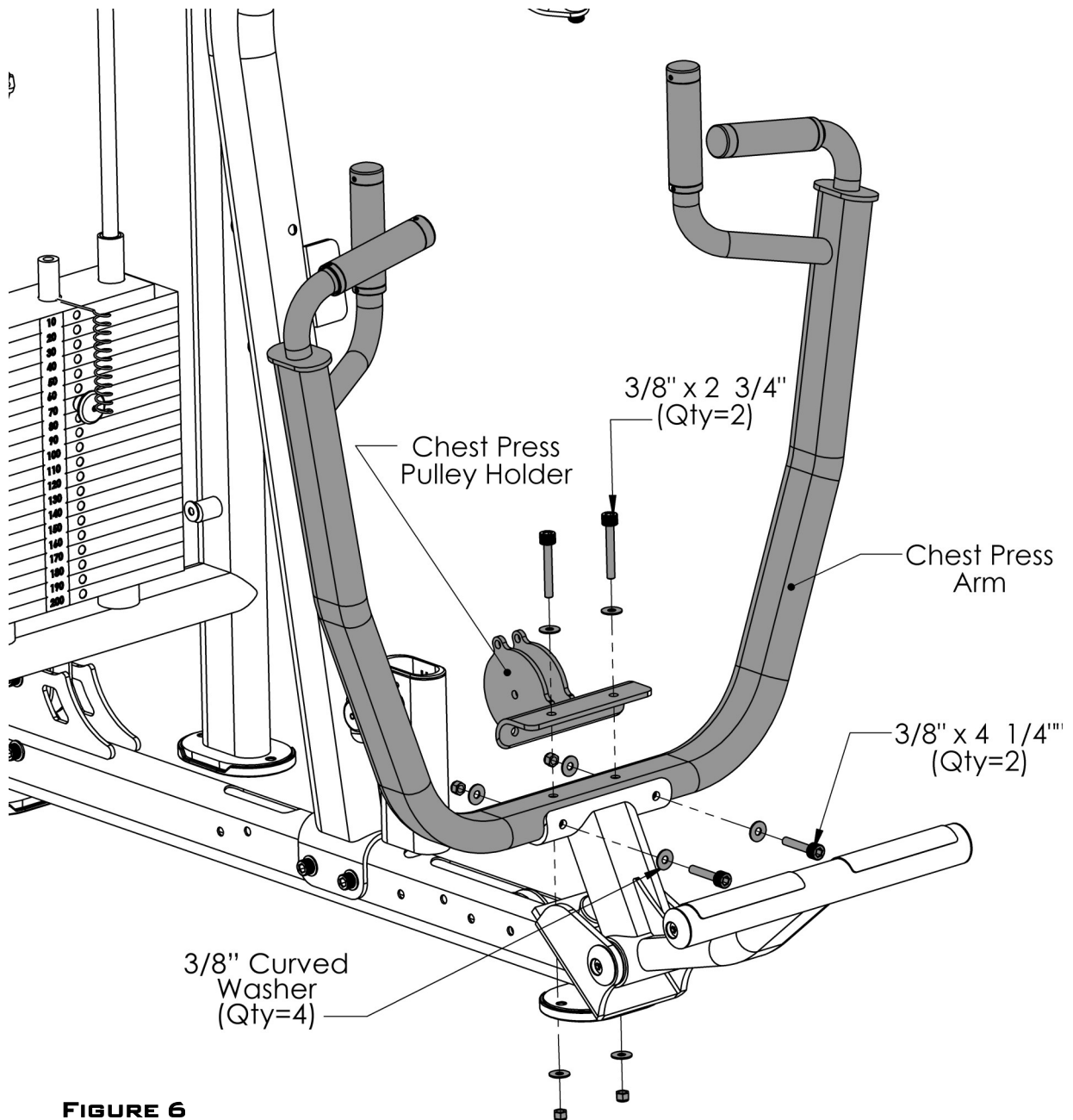


FIGURE 6

ALL FLAT WASHERS AND NYLOCKS ARE 3/8" UNLESS OTHERWISE NOTED. ANYWHERE A WASHER IS AGAINST THE ROUND SIDE OF A TUBE THERE IS TO BE A **3/8" CURVED WASHER** INSTEAD OF A 3/8" FLAT WASHER.

ITEM #	PART #	DESCRIPTION	QTY
20	BFP-10826	CHEST PRESS ARM	1
21	BFP-10837	CHEST PRESS PULLEY HOLDER	1
48	BFP-51750	SHCS 3/8" x 2 3/4"	2
51	BFP-51884	SHCS 3/8" x 4 1/4"	2
56	BFH-50146	3/8" FLAT WASHER	4
57	BFH-50157	3/8" NYLOCK	4
58	BFH-50204	3/8" CURVED WASHER	4

STEP 7:

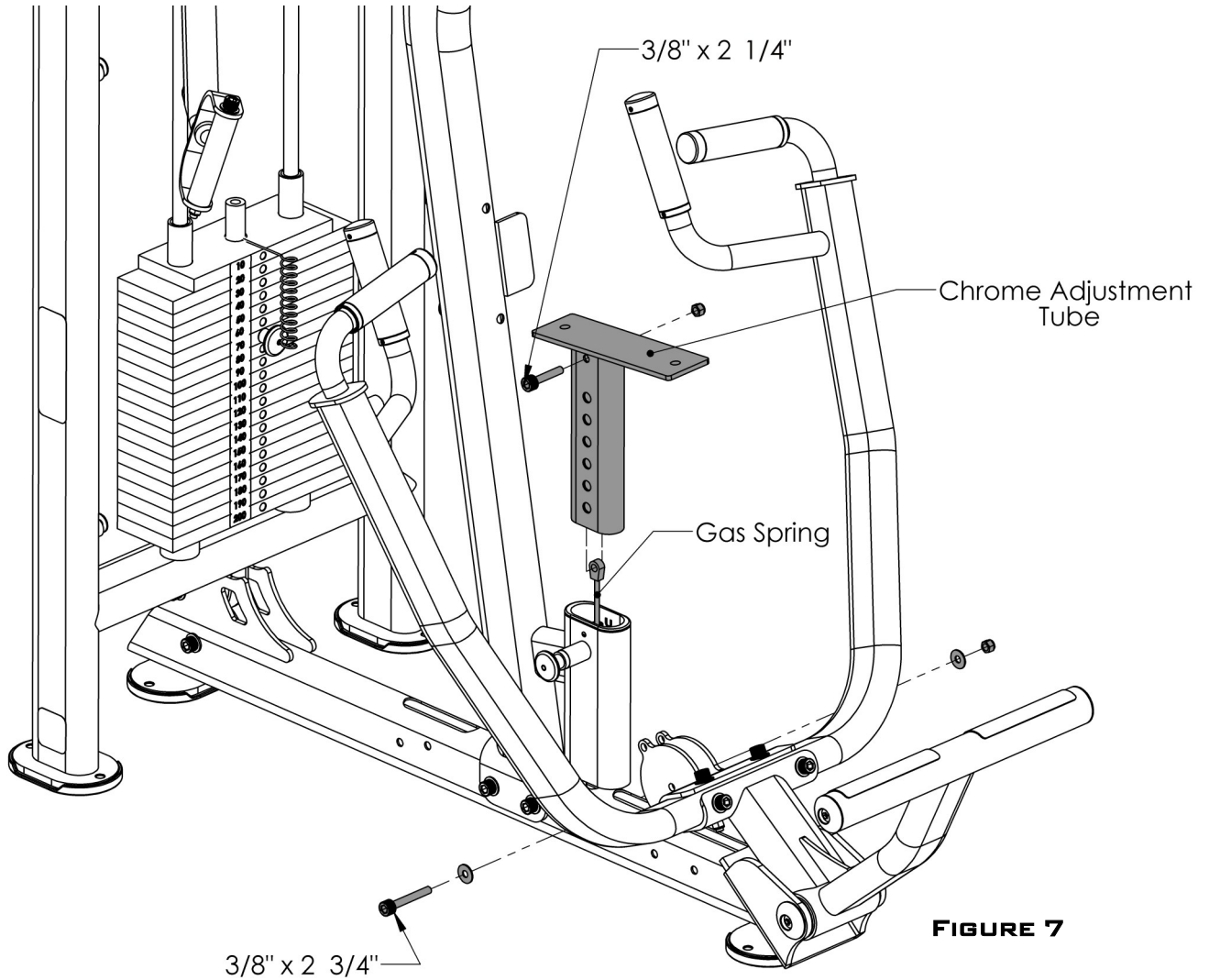


FIGURE 7

! MAKE SURE THIS BOLT GOES THROUGH THE BOTTOM AND TOP HOLES OF THE GAS SPRING

ALL FLAT WASHERS AND NYLOCKS ARE 3/8" UNLESS OTHERWISE NOTED.

ITEM #	PART #	DESCRIPTION	QTY
22	BFP-10836	CHROME ADJUSTMENT TUBE	1
41	BFH-50210	GAS SPRING	1
46	BFP-51759	SHCS 3/8" x 2 1/4"	1
48	BFP-51750	SHCS 3/8" x 2 3/4"	1
56	BFH-50146	3/8" FLAT WASHER	2
57	BFH-50157	3/8" NYLOCK	2

STEP 8:

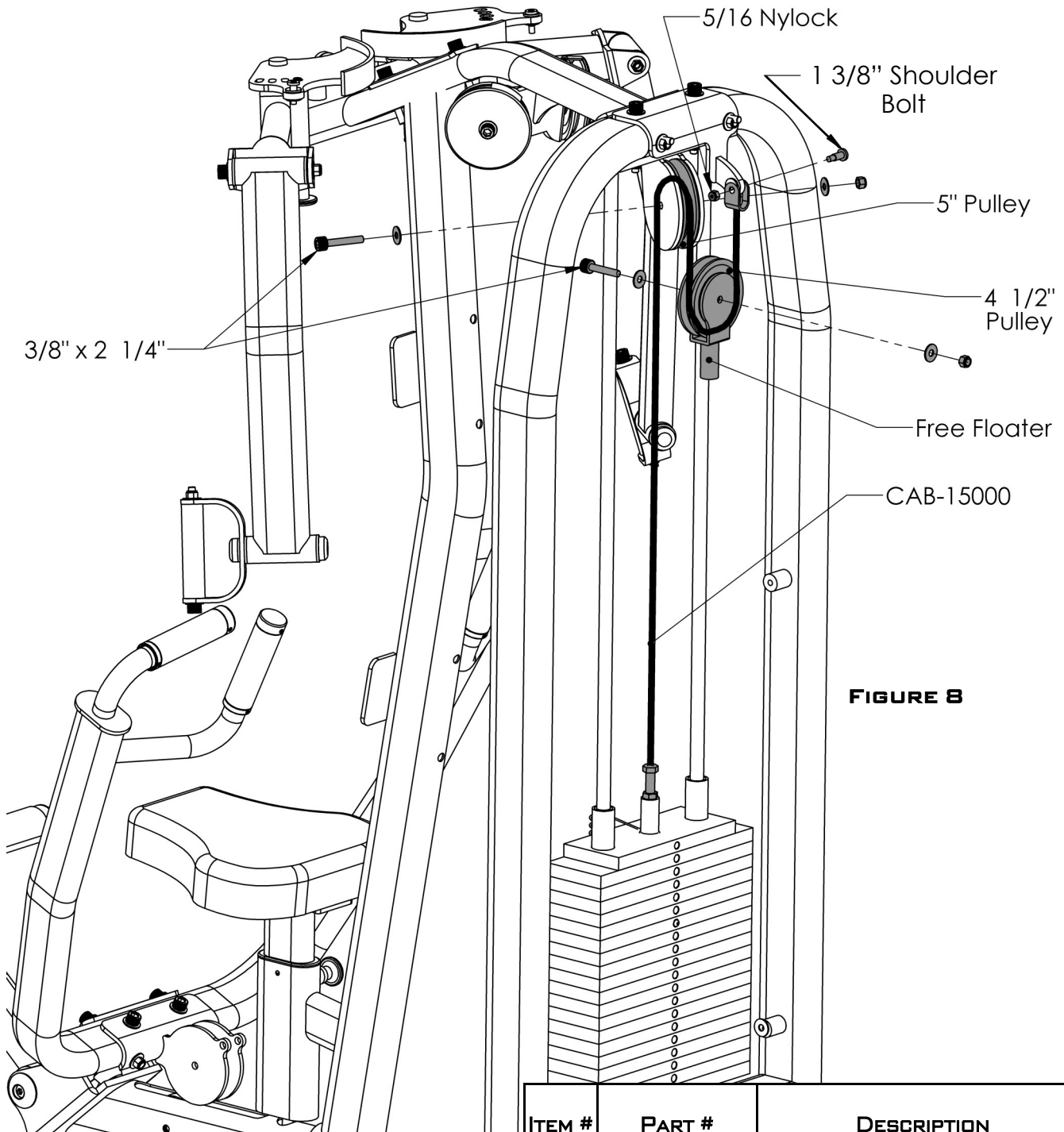
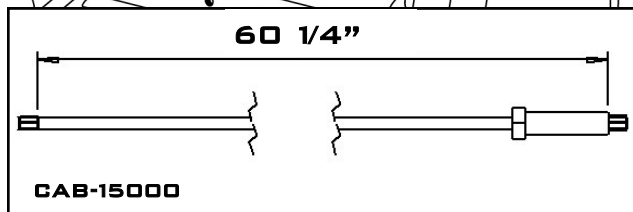


FIGURE 8



ALL FLAT WASHERS AND NYLOCKS ARE 3/8" UNLESS OTHERWISE NOTED.

ITEM #	PART #	DESCRIPTION	QTY
29	CAB-15000	WEIGHT STACK TO FREE FLOATER	1
23	BFP-10838	FREE FLOATER	1
37	BFH-50174	4 1/2" PULLEY	1
38	BFH-50530	5" PULLEY	1
45	BFH-50351	1 3/8" SHOULDER BOLT	1
47	BFP-51752	SHCS 3/8" x 2 1/4"	2
54	BFH-50267	5/16" NYLOCK	1
56	BFH-50146	3/8" FLAT WASHER	4
57	BFH-50157	3/8" NYLOCK	2

STEP 9:

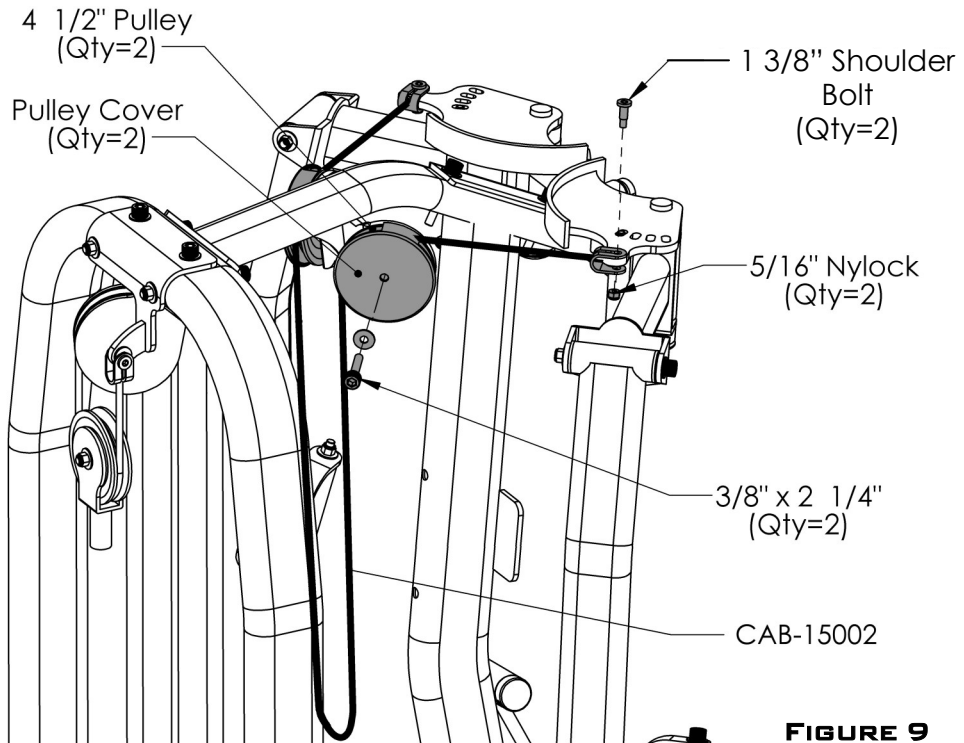
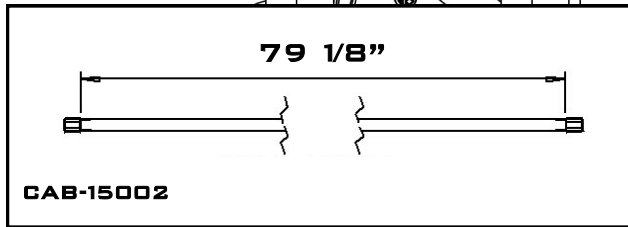


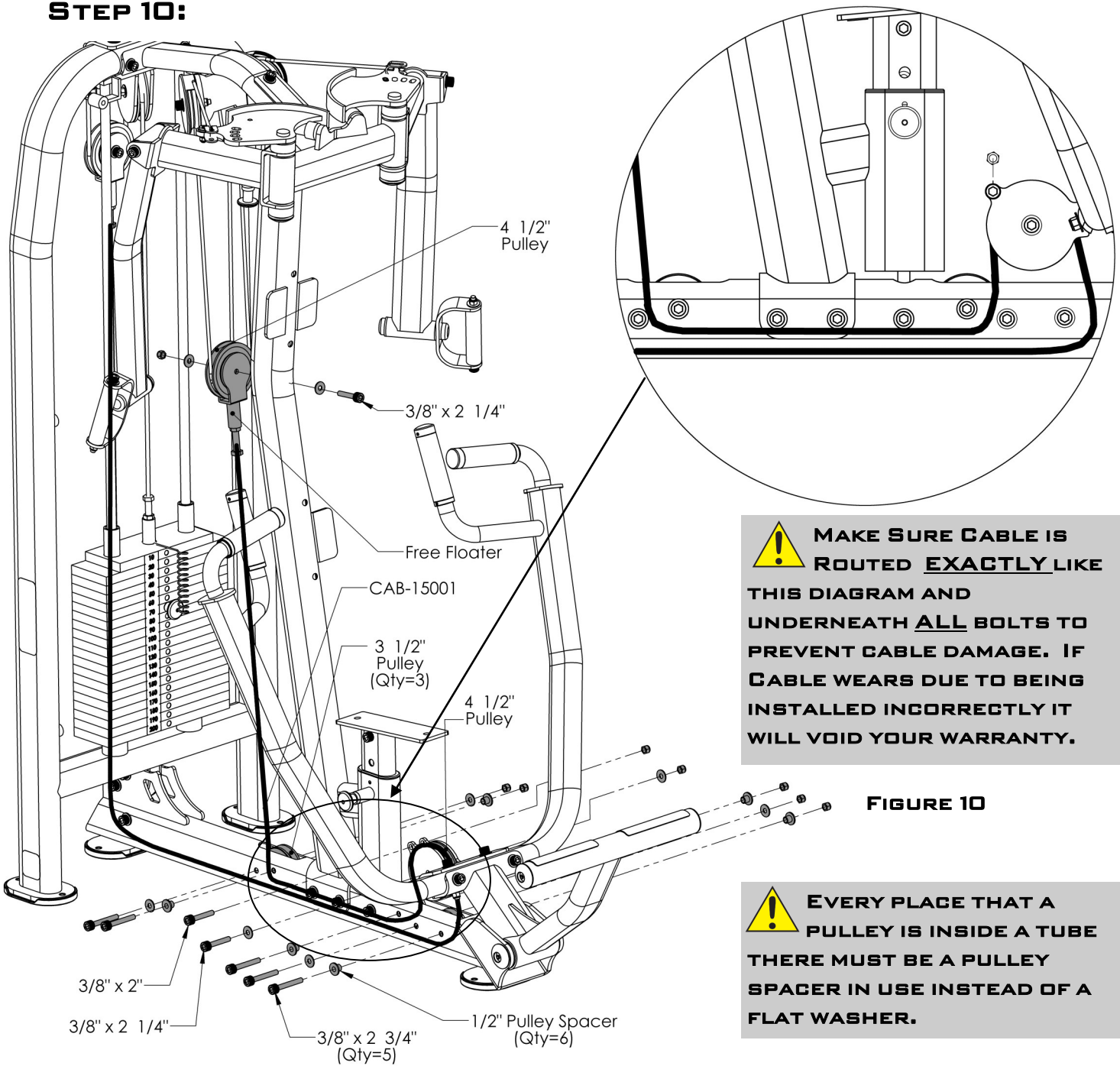
FIGURE 9



ALL FLAT WASHERS AND NYLOCKS ARE 3/8" UNLESS OTHERWISE NOTED.

ITEM #	PART #	DESCRIPTION	QTY
30	CAB-15002	PEC TOP TO FREE FLOATER	1
24	BFM-50345	PULLEY COVER	2
37	BFH-50174	4 1/2" PULLEY	2
45	BFH-50351	1 3/8" SHOULDER BOLT	2
47	BFP-51752	SHCS 3/8" X 2 1/4"	2
54	BFH-50267	5/16" NYLOCK	2
56	BFH-50146	3/8" FLAT WASHER	4
57	BFH-50157	3/8" NYLOCK	2

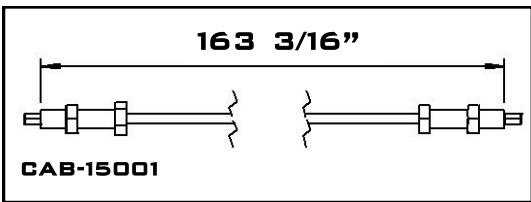
STEP 10:



⚠ MAKE SURE CABLE IS ROUTED EXACTLY LIKE THIS DIAGRAM AND UNDERNEATH ALL BOLTS TO PREVENT CABLE DAMAGE. IF CABLE WEARS DUE TO BEING INSTALLED INCORRECTLY IT WILL VOID YOUR WARRANTY.

FIGURE 10

⚠ EVERY PLACE THAT A PULLEY IS INSIDE A TUBE THERE MUST BE A PULLEY SPACER IN USE INSTEAD OF A FLAT WASHER.



ALL FLAT WASHERS AND NYLOCKS ARE 3/8\"/>

ITEM #	PART #	DESCRIPTION	QTY
31	CAB-15001	FREE FLOATER TO FREE FLOATER CABLE	1
23	BFP-10838	FREE FLOATER	1
36	BFH-50173	3 1/2\"/>	
37	BFH-50174	4 1/2\"/>	
39	BFP-51746	1/2\"/>	
46	BFP-51759	SHCS 3/8\"/>	
47	BFP-51752	SHCS 3/8\"/>	
48	BFP-51750	SHCS 3/8\"/>	
56	BFH-50146	3/8\"/>	
57	BFH-50157	3/8\"/>	

STEP 11:

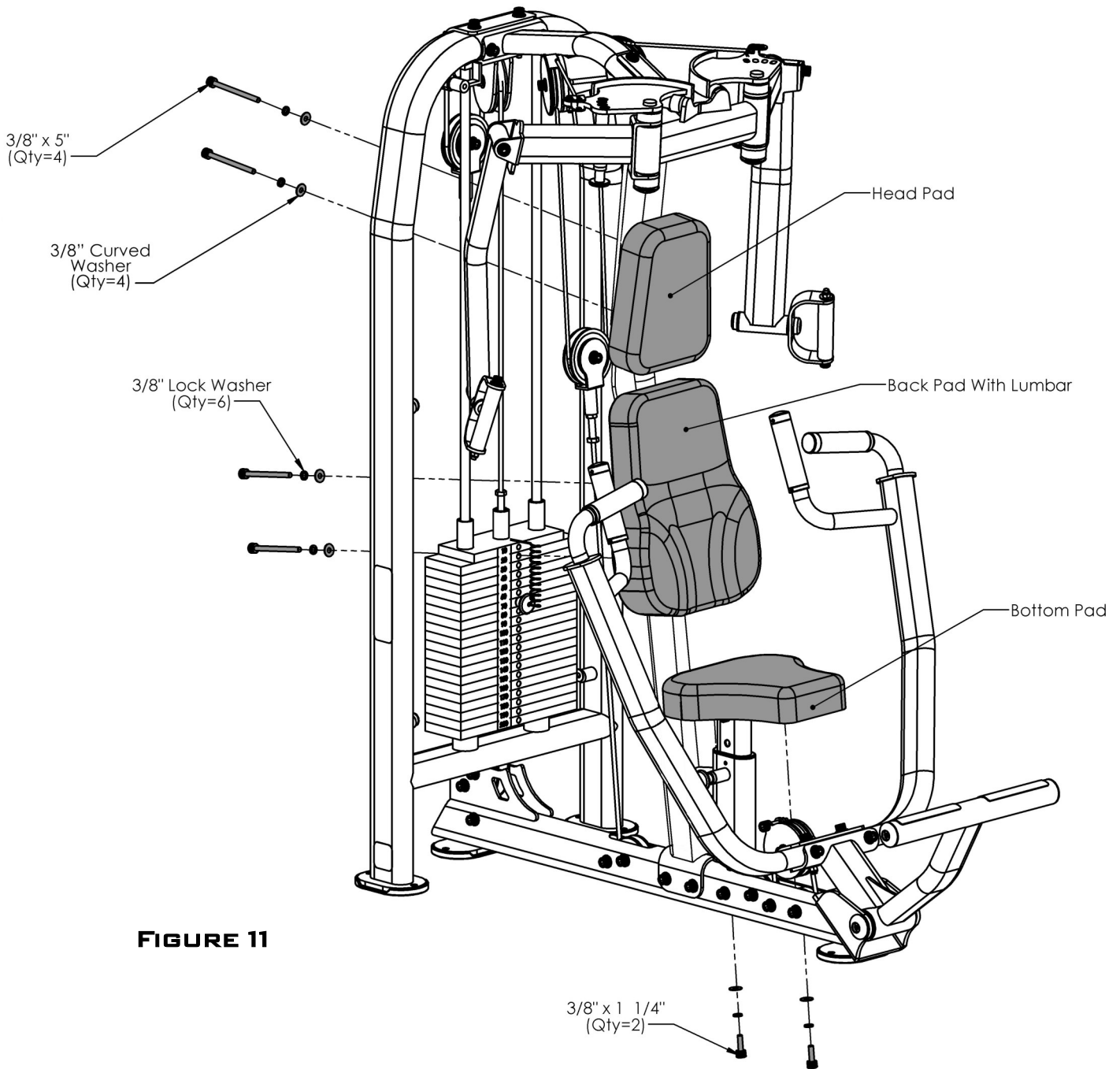


FIGURE 11

ALL FLAT WASHERS AND NYLOCKS ARE 3/8" UNLESS OTHERWISE NOTED.

ITEM #	PART #	DESCRIPTION	QTY
33	BFP-52137	HEAD PAD	1
34	BFP-52136	BACK PAD WITH LUMBAR	1
35	BFP-52141	BOTTOM PAD	1
44	BFP-51653	SHCS 3/8" X 1 1/4"	2
52	BFP-51799	SHCS 3/8" X 5"	4
55	BFH-50147	3/8" LOCK WASHER	6
56	BFH-50146	3/8" FLAT WASHER	2
58	BFH-50204	3/8" CURVED WASHER	4

STEP 12:

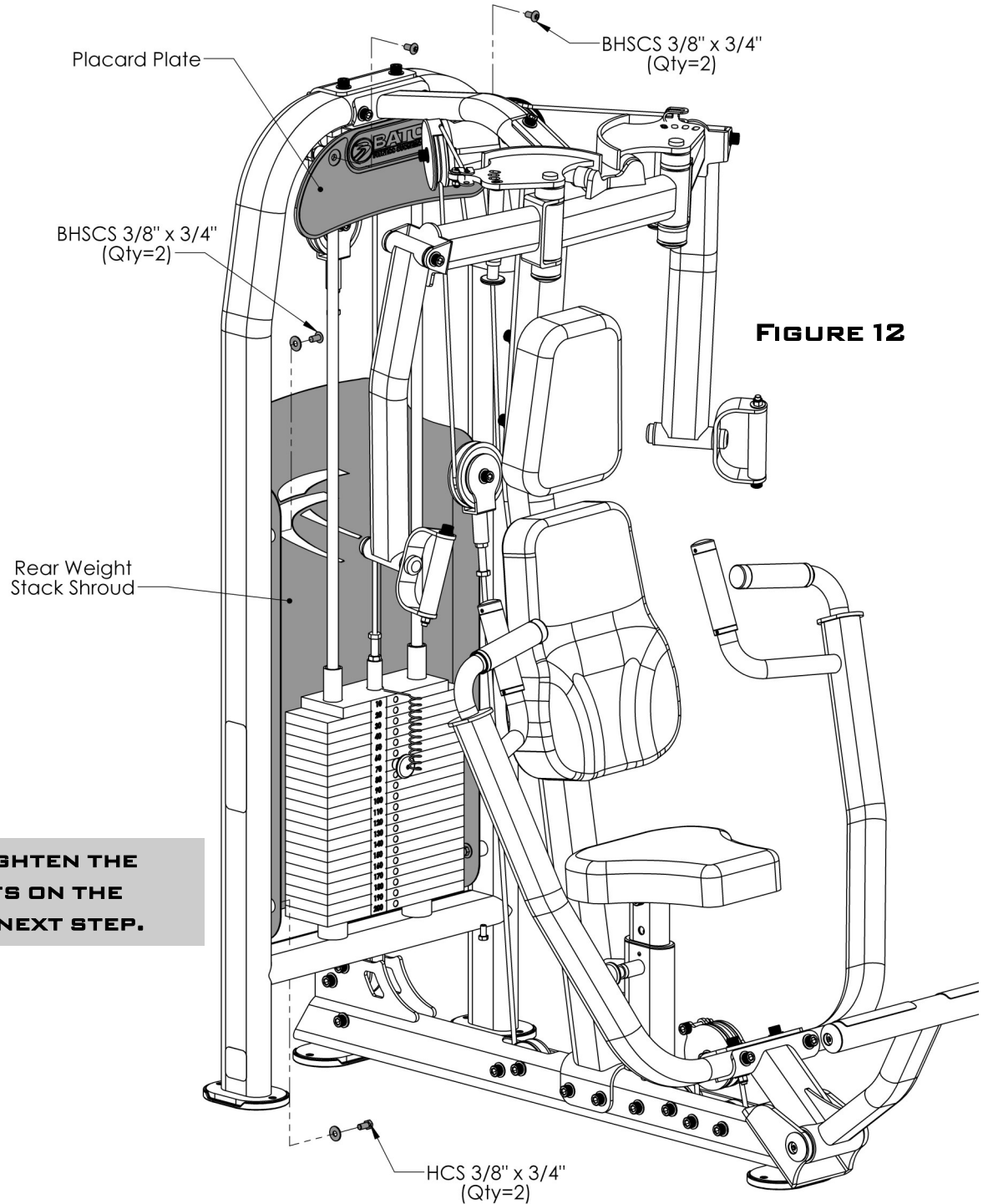


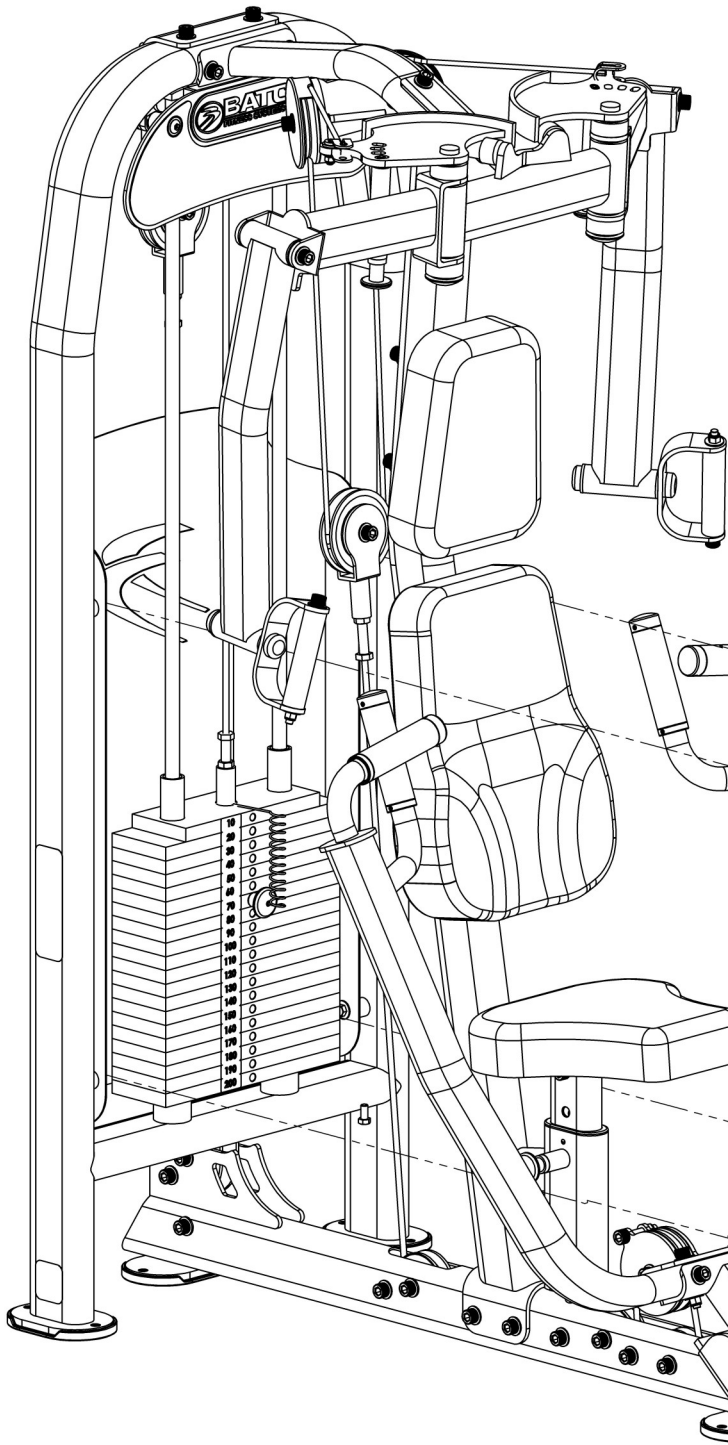
FIGURE 12

! DO NOT TIGHTEN THE FOUR BOLTS ON THE SHROUD UNTIL NEXT STEP.

ITEM #	PART #	DESCRIPTION	QTY
25	BFP-51711	PLACARD PLATE	1
26	BFP-51740	REAR WEIGHT STACK SHROUD	1
42	BFH-50254	HCS 3/8" x 3/4"	2
43	BFP-52373	BHSCS 3/8" x 3/4"	4
56	BFH-50146	3/8" FLAT WASHER	4

ALL FLAT WASHERS AND NYLOCKS ARE 3/8" UNLESS OTHERWISE NOTED.

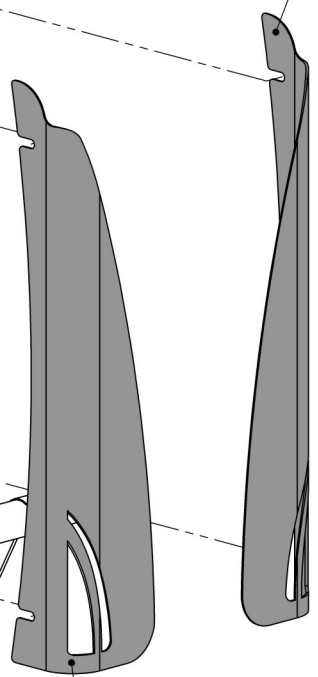
STEP 13:



! MAKE SURE ALL BOLTS ARE TIGHTENED

FIGURE 13

Right Front Shroud



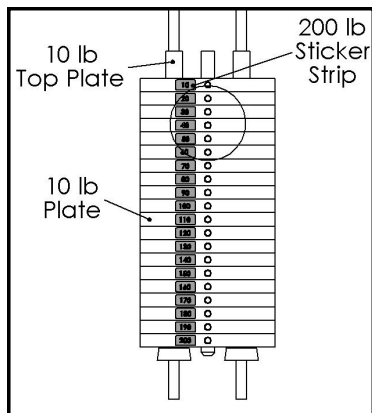
Left Front Shroud

ITEM #	PART #	DESCRIPTION	QTY
27	BFP-51742	FRONT WEIGHT STACK SHROUD (RIGHT)	1
28	BFP-51741	FRONT WEIGHT STACK SHROUD (LEFT)	1

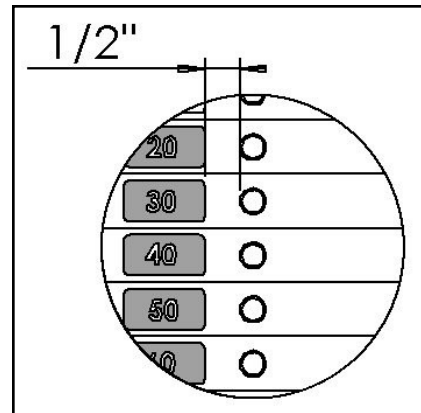
ALL FLAT WASHERS AND NYLOCKS ARE 3/8" UNLESS OTHERWISE NOTED.

FINAL ASSEMBLY AND TROUBLESHOOTING

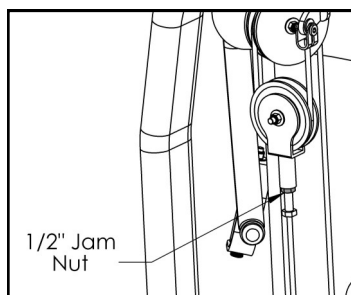
WEIGHT STACK DECALS:



200LB STACK

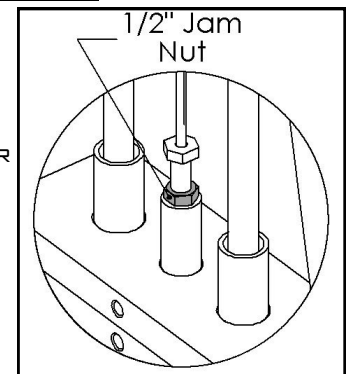


IMPORTANT - CHECK THESE COMPONENTS BEFORE USING GYM:

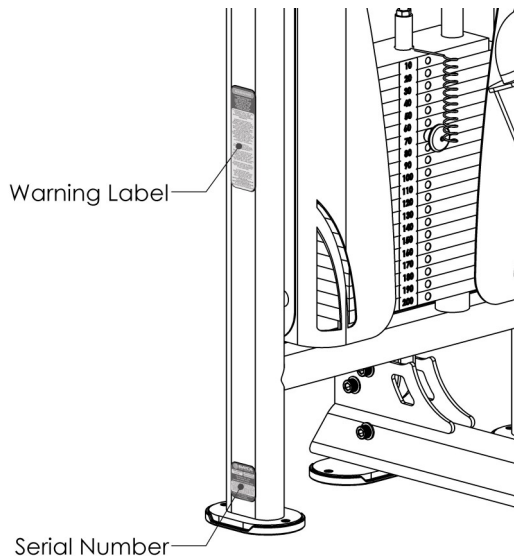


FREE FLOATER

- EACH CABLE WITH A THREADED BOLT ON EITHER END **MUST BE THREADED AT LEAST 1/2"** INTO ITS ATTACHMENT, WHETHER IT BE A FREE FLOATER, LOCKOUT FREE FLOATER, OR THE TOP PLATE OF THE WEIGHT STACK. EACH MUST ALSO BE SECURED WITH A 1/2" JAM NUT TO ENSURE A SAFE AND PROPER CONNECTION.



TOP PLATE



- **RECORD** YOUR SERIAL NUMBER ON THE FRONT OF THIS MANUAL AND KEEP FOR YOUR RECORDS. THE SERIAL NUMBER CAN BE FOUND ON THE SIDE OF THE CAGE AS SEEN IN THE FIGURE TO THE LEFT.

GUIDE ROD

- CLEAN GUIDE RODS WITH A LINT-FREE CLOTH AND APPLY A THIN LAYER OF SILICONE LUBRICANT (PART # BFH-50262) TO EACH GUIDE ROD. THIS WILL ENSURE A GLASS SMOOTH PERFORMANCE FROM YOUR WEIGHT STACK.

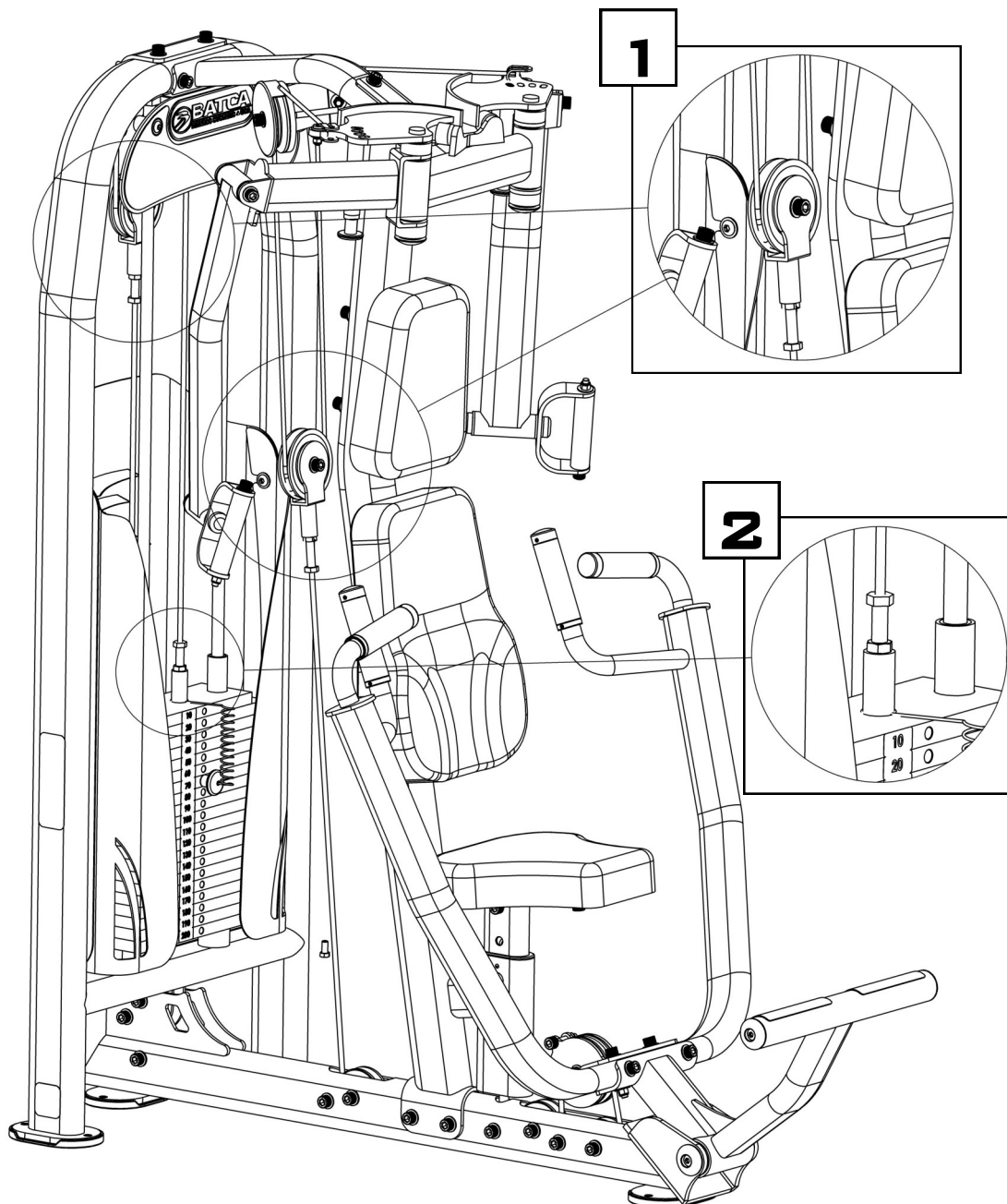
CABLE ADJUSTMENTS

- **ADJUST** CABLES TO PROPER TENSION FROM ANY OF THE LOCATIONS SHOWN BELOW.



NOTE: ALL CABLES WITH THREADED ADJUSTABLE ENDS MUST HAVE AT LEAST 1/2" OF THE THREADS THREADED IN TO ITS COUNTERPART. IT IS VERY IMPORTANT THAT THE 1/2" JAM NUT BE WRENCH TIGHTENED TO THE COUNTERPART TO ENSURE THAT THE THREADED ADJUSTABLE END OF THE CABLE DOES NOT BACK OUT OF ITS COUNTERPART.

- **NOTE:** IF THE TOP PLATE RAISES OFF OF THE SECOND PLATE IN THE WEIGHT STACK, THEN THE CABLE TENSION IS TOO TIGHT. YOU WILL NEED TO TAKE SOME OF THE TENSION OUT TO LOWER THE TOP PLATE FLUSH WITH THE SECOND PLATE.



PREVENTIVE MAINTENANCE

BATCA FITNESS SYSTEMS STRIVES TO GIVE YOU THE VERY BEST IN QUALITY, PERFORMANCE AND SAFETY THROUGH CAREFULLY ENGINEERED DESIGNS AND EXCELLENT WORKMANSHIP. IN ORDER TO MAINTAIN THIS HIGH LEVEL OF QUALITY THE PREVENTATIVE MAINTENANCE SCHEDULE BELOW SHOULD BE FOLLOWED.

CLEAN UPHOLSTERY, GRIPS, AND ROLLER PADS WITH MILD SOAP AND WATER GENERALLY AFTER EVERY USE. THE GUIDE RODS, CHROME SLIDES AND FRAME SHOULD BE CLEANED WITH A COTTON CLOTH. UPON CLEANING THE GUIDE RODS, A THIN LAYER OF SILICONE OR TEFLON GEL SHOULD BE APPLIED TO EACH ROD TO ENSURE A GLASS SMOOTH PERFORMANCE.

AN OVERALL INSPECTION SHOULD BE DONE BEFORE EACH WORKOUT. IF THE WARNING AND SAFETY DECALS ARE WORN OR HAVE BEEN REMOVED THEY SHOULD BE REPLACED IMMEDIATELY. THE CABLES AND CABLE SYSTEMS SHOULD BE INSPECTED FOR SIGNS OF WEAR AND PROPER TENSION. IN ORDER TO CHECK CABLES PROPERLY YOU SHOULD CAREFULLY RUN THE CABLE THROUGH YOUR FINGERTIPS, CHECKING FOR SIGNS OF WEAR, CRACKS, BURS AND THINNING SPOTS. REPLACE ANY PART AT FIRST SIGNS OF WEAR. CABLES SHOULD BE ADJUSTED FOR PROPER TENSION. SEE ASSEMBLY INSTRUCTIONS FOR THIS DETAIL. ALL HARDWARE, STOPS, AND ADJUSTMENTS SHOULD BE CHECKED AND TIGHTENED AS REQUIRED.

THE GUIDE RODS ON YOUR MACHINE SHOULD BE CLEANED AND LUBRICATED REGULARLY. THIS WILL ENSURE A GLASS SMOOTH PERFORMANCE FROM YOUR WEIGHT STACK. A THIN LAYER OF EITHER SILICONE OR TEFLON GEL SHOULD APPLIED TO EACH ROD. EACH PILLOW BLOCK BEARING AND FLANGE BEARING HAS A GREASE FITTINGS THAT MUST BE LUBRICATED REGULARLY. USE GENERAL PURPOSE BEARING GREASE AND FOLLOW THE SCHEDULE BELOW.

ALTHOUGH CABLES SHOULD BE INSPECTED DAILY, IT IS IMPORTANT THAT ALL CABLES BE REPLACED AS DIRECTED IN THE SCHEDULE BELOW. PLEASE NOTE THAT AT ANY FIRST SIGN OF WEAR THE CABLE SHOULD BE REPLACED IMMEDIATELY.

IF THERE ARE ANY QUESTIONS CONCERNING MAINTENANCE, PLEASE CONTACT YOUR LOCAL BATCA DEALER OR CONTACT BATCA FITNESS SYSTEMS DIRECTLY AT:

BATCA FITNESS SYSTEMS

(919) 255-1233

WWW.BATCAFITNESS.COM

	DAILY		WEEKLY		MONTHLY		QUARTERLY		YEARS	
	Commercial	Home	Commercial	Home	Commercial	Home	Commercial	Home	Commercial	Home
CLEAN										
UPHOLSTERY	X			X						
HAND GRIPS	X			X						
ROLLER PADS	X			X						
GUIDE RODS			X			X				
CHROME SLIDES			X			X				
FRAME			X			X				
INSPECT										
OVERALL	X	X								
SAFETY DECALS	X	X								
CABLES	X	X								
CABLE TENSION			X			X				
PULLEYS	X	X								
HARDWARE	X	X								
STOPS	X	X								
UPHOLSTERY	X	X								
HAND GRIPS			X			X				
FRAME			X			X				
BUSHINGS	X			X						
BEARINGS	X			X						
LUBRICATE										
GUIDE RODS			X			X				
BEARINGS							As Needed			1
REPLACE										
CABLES									1	3

LIMITED LIFETIME WARRANTY

WHAT IS COVERED

FOR RESIDENTIAL USE:

BATCA FITNESS SYSTEMS WARRANTS ALL OF ITS PRODUCTS AGAINST DEFECTS IN MANUFACTURING, MATERIALS AND WORKMANSHIP UNDER NORMAL USE AND SERVICE FOR ONE YEAR FROM DATE OF PURCHASE INCLUDING PAINT, CHROME, UPHOLSTERY AND GRIPS. BATCA FITNESS SYSTEMS ALSO WARRANTS ALL CABLES, BELTS, BOLTS, NUTS, CAPS, PLUGS, BUMPERS, WASHERS, LEVELERS, DECALS, GAS SPRINGS AND OTHER HARDWARE FOR THREE YEARS AFTER DATE OF PURCHASE; ALL MOVING PARTS, INCLUDING PULLEYS, BUSHINGS, BEARINGS AND PULL PINS FOR FIVE YEARS AFTER DATE OF PURCHASE AND WARRANTS THE FRAME AND ALL WELDED PARTS FOR THE LIFETIME OF THE ORIGINAL PURCHASER.

FOR COMMERCIAL USE:

BATCA FITNESS SYSTEMS WARRANTS ALL OF ITS PRODUCTS AGAINST DEFECTS IN MANUFACTURING, MATERIALS AND WORKMANSHIP UNDER NORMAL USE AND SERVICE FOR SIX MONTHS FROM DATE OF PURCHASE INCLUDING PAINT, CHROME, UPHOLSTERY AND GRIPS. BATCA FITNESS SYSTEMS ALSO WARRANTS ALL CABLES, BELTS, BOLTS, NUTS, CAPS, PLUGS, BUMPERS, WASHERS, LEVELERS, DECALS, GAS SPRINGS AND OTHER HARDWARE FOR ONE YEAR AFTER DATE OF PURCHASE; ALL MOVING PARTS, INCLUDING PULLEYS, BUSHINGS, BEARINGS AND PULL PINS FOR THREE YEARS AFTER DATE OF PURCHASE AND WARRANTS THE FRAME AND ALL WELDED PARTS FOR TEN YEARS AFTER DATE OF PURCHASE.

WHAT IS NOT COVERED

THIS WARRANTY DOES NOT COVER DAMAGE, WHICH RESULTS FROM SHIPPING, MISUSE, ABUSE, NEGLIGENCE, CARELESSNESS, MODIFICATION OR ALTERATION, ACCIDENT, FIRE, FLOOD, "ACTS OF GOD" OR OTHER CONTINGENCIES BEYOND THE CONTROL OF BATCA FITNESS SYSTEMS. THIS WARRANTY ALSO DOES NOT COVER DETERIORATION FROM WEAR AND TEAR OR EXPOSURE OR ANY DEFECT, WHICH WOULD NOT HAVE HAPPENED IF INSTRUCTIONS IN THE OWNER'S MANUAL HAD BEEN FOLLOWED. IMPROPER INSTALLATION, IMPROPER ASSEMBLY OR FOLLOW-UP MAINTENANCE ALONG WITH INSTALLATION OF PARTS OR ACCESSORIES NOT ORIGINALLY INTENDED FOR PRODUCTS OF BATCA FITNESS SYSTEMS ARE ALSO NOT COVERED BY THIS WARRANTY. ONLY GENUINE BATCA PARTS SHOULD BE USED FOR REPLACEMENT, REPAIR, AND MAINTENANCE FOR THIS WARRANTY TO APPLY.

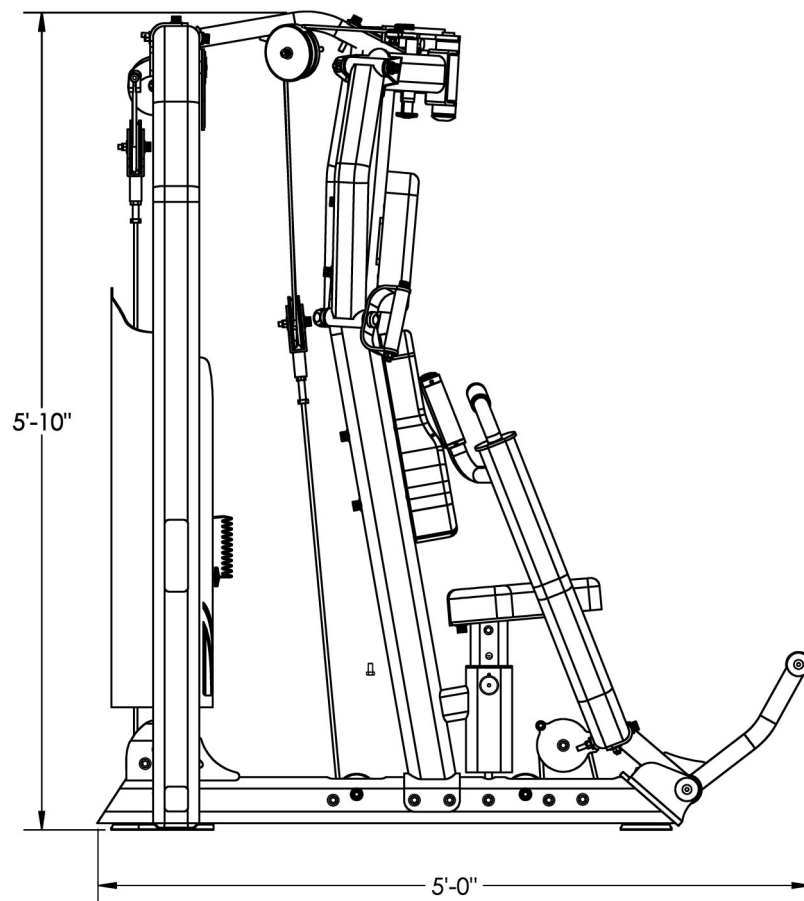
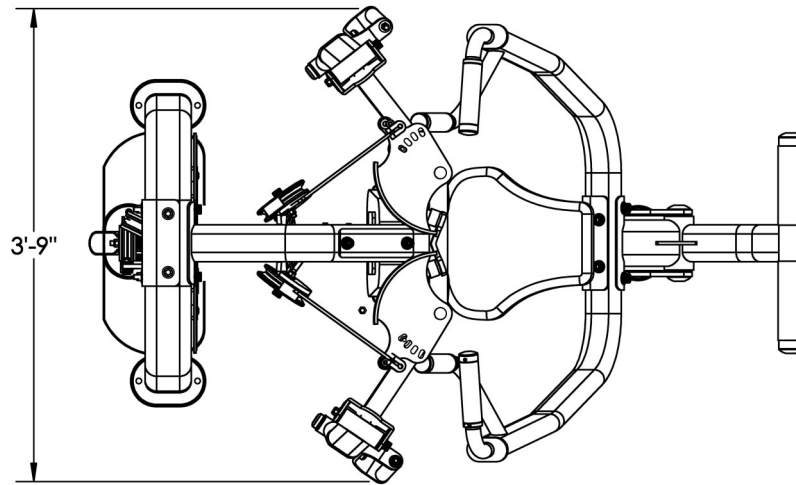
DEFECTIVE PARTS WILL BE REPAIRED OR REPLACED AT BATCA FITNESS SYSTEMS OPTION, WITHOUT PARTS CHARGE TO THE PURCHASER. ALL RETURNS REQUIRE A RETURN AUTHORIZATION PRIOR TO ACCEPTANCE OF REPAIR WORK. BATCA FITNESS SYSTEMS RESERVES THE RIGHT TO MAKE DESIGN CHANGES WITHOUT ANY PRIOR NOTIFICATION AND SHALL NOT BE RESPONSIBLE FOR INCIDENTAL OR CONSEQUENTIAL DAMAGES.

THE PURCHASER IS RESPONSIBLE FOR SHIPPING THE DEFECTIVE PART BACK TO THE FACTORY. REPAIR OR REPLACEMENT IS THE EXCLUSIVE AND SOLE REMEDY OF THE PURCHASER. LABOR CHARGES ASSOCIATED WITH PARTS CHANGES ARE NOT COVERED BY THIS WARRANTY. PROOF OF PURCHASE, SERIAL NUMBER, MODEL NUMBER AND DATE OF PURCHASE WILL BE REQUIRED ALONG WITH ALL PERTINENT INFORMATION OF THE ALLEGED DAMAGE.

THIS WARRANTY APPLIES ONLY TO THE ORIGINAL PURCHASER AND IS NOT TRANSFERABLE. CLAIMS UNDER THIS WARRANTY MUST BE MADE DIRECTLY TO BATCA FITNESS SYSTEMS.

BATCA FITNESS SYSTEMS
1207 N. NEW HOPE ROAD
RALEIGH, NC 27610
(919) 255-1233

WWW.BATCAFITNESS.COM



LAYOUT DIAGRAM

THE LD-1 HAS A LAYOUT DIMENSION OF 3'-9" (WIDTH) X 5'-0" (LENGTH) X 5'-10" (HEIGHT). THERE SHOULD BE A MINIMUM OF 18", PREFERABLY 24", OF WORKING SPACE AROUND THE ENTIRE UNIT.